



Special Cameras



OmniCam

TRACK CAMERA SYSTEM

The OmniCam Track Camera System is a remote-controllable dolly with camera head.

The 11cm narrow-gauge aluminum rail guides the camera smoothly and safely, both along straight runs and around curves with a minimum radius of just 150cm. The OmniCam Track Camera System is also designed for suspended mounting.

A digital control panel operates the dolly. Automated moves can be programmed, or the system can be controlled via a joystick and foot pedal.

Whether ground-mounted or suspended, the low gauge saves you time and money when setting up and transporting. Rail profiles for various lengths and curve radiuses are available.

System can be driven by rope, with inner core fiber optics and batteries, allowing operation without any visible cables.

Capturing unique perspectives from angles unreachable by conventional handheld, tripod, or full-sized remote-controlled camera support systems.



OmniCam

TRACK CAMERA SYSTEM

Camera Support:

- Standalone max. speed: 21Km/h
- Rope drive max. speed: 56Km/h
- Ability to corner

Head Speed:

Pan (unlimited)

- Max. (360°): 3s26" (100°/sec)
- Min. (360°): 4m (1,5°/sec)

Tilt (300°)

- Max. (180°): 3s (60°/sec)
- Min. (180°): 4m (0,75°/sec)

Roll (360°)

- Max. (360°): 4s (90°/sec)
- Min. (360°): 6m (1°/sec)

Remote Control:

- Joystick (pan, tilt)
- Roll
- Pedals (traveling)
- Zoom, focus & iris
- Full function camera OCP

Cameras:

HD

- Camera Panasonic HC 1500/1800
- Lens Canon HJ14x4.3

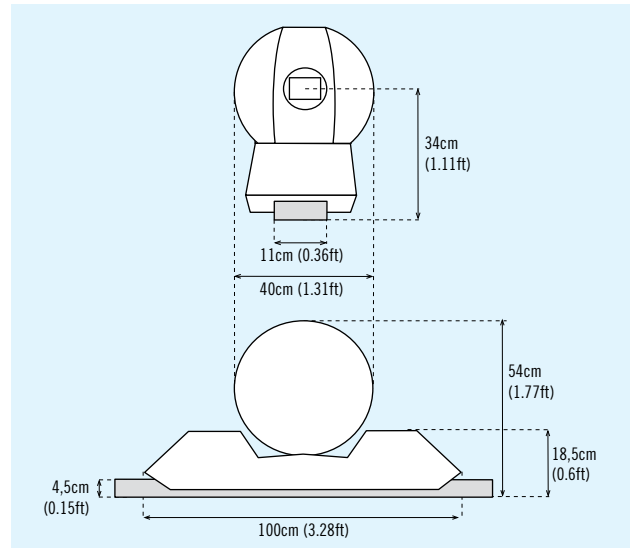
4K

- Camera Panasonic UB-300
- Lens Canon CJ12x4.3

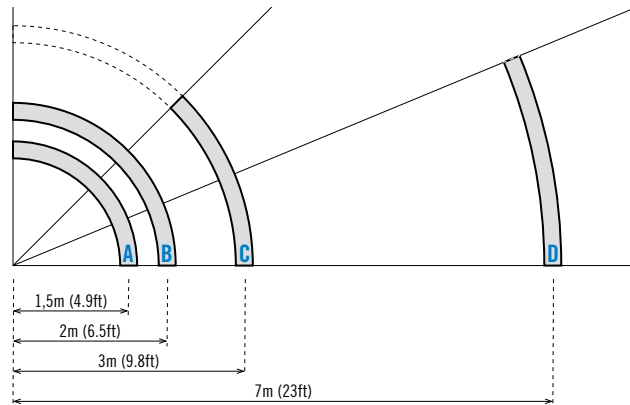
HD High Speed Frame Rate

- Phantom Miro 320
- Lens Fujinon ZK4.7x19 / PL mount

Dimensions:



Track curve scheme:



A: 3m/9.8ft diameter (90°); B: 4m/13ft diameter (90°); C: 6m/19.6ft diameter (45°); D: 14m/46ft diameter (22,5°).



omnicam4sky.tv

Estúdios MEDIAPRO Portugal · Asseiceira Grande · 2665-618 Venda do Pinheiro · Portugal
+351 210 180 810 · info@omnicam.pt

[/omnicam4sky](https://www.facebook.com/omnicam4sky)

[@omnicam4sky](https://www.instagram.com/omnicam4sky)